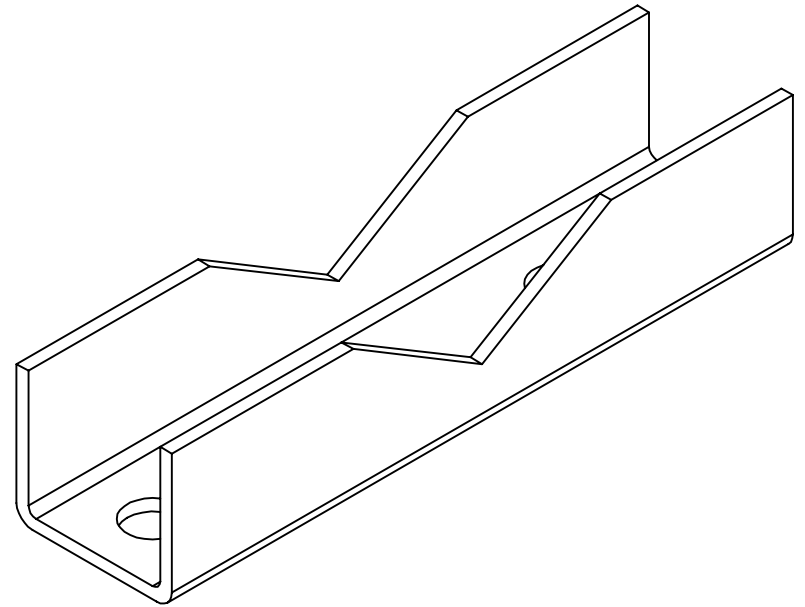
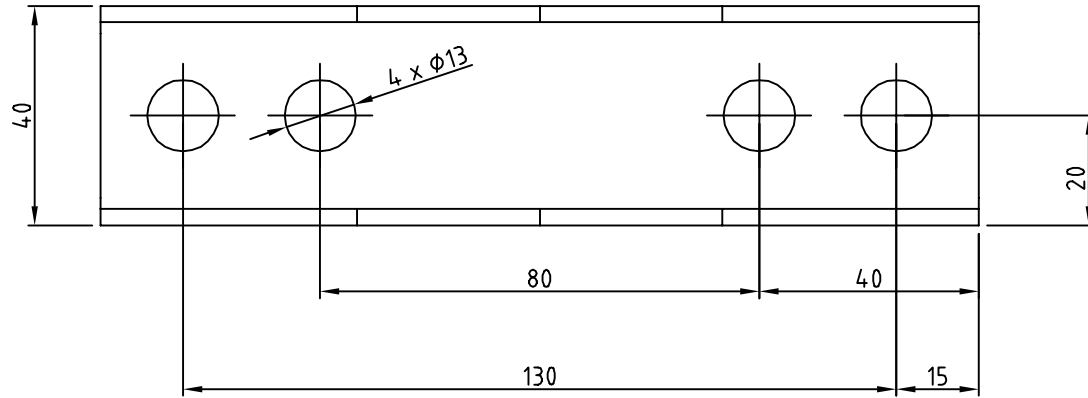
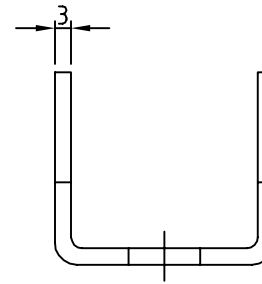
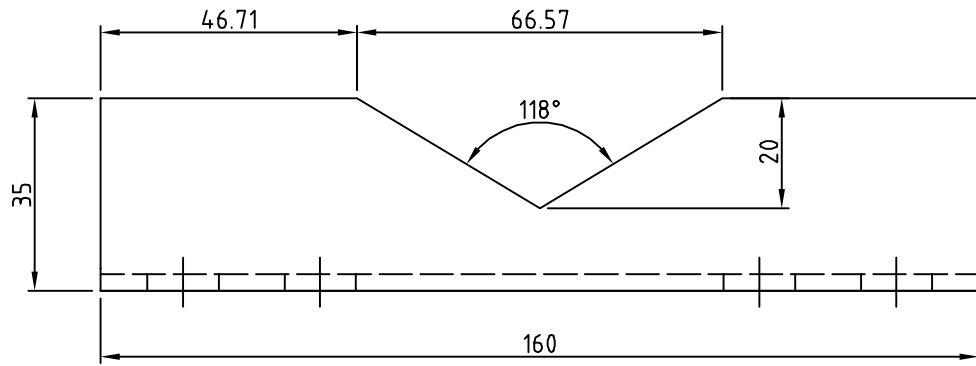


11192



| | | | | |
|------------|--------------|-------|---------------------------|----------------------|
| Standard | | Scale | Description | Description, max. 20 |
| Drawn by | 22.08.03 aki | 1:1 | Tolerance class middle | U40-160 |
| Checked by | | | | Description 2 |
| Material | | | | (GENMSG gendwg 236) |
| Plot Date | | | | Material 1 |
| Mass | | | | Fe, s = 3 mm |
| DWG | | | | Measurement |



Aerial Oy
 Tel. +358-9-2790 120 Fax. +358-9-2910 210
 Box 22 04401 Järvenpää Finland
<http://www.aerial.fi> aerial@airtel.fi